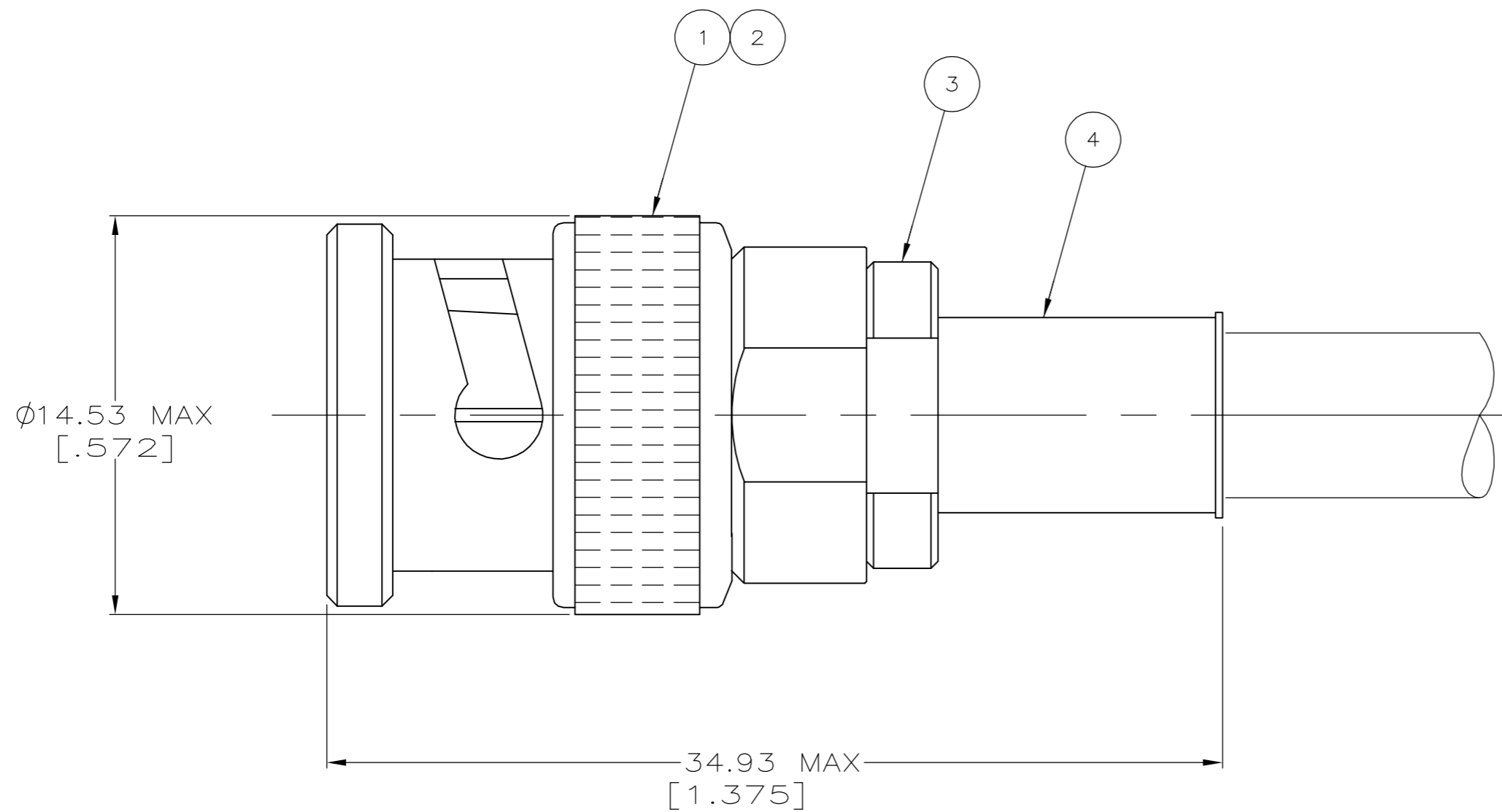
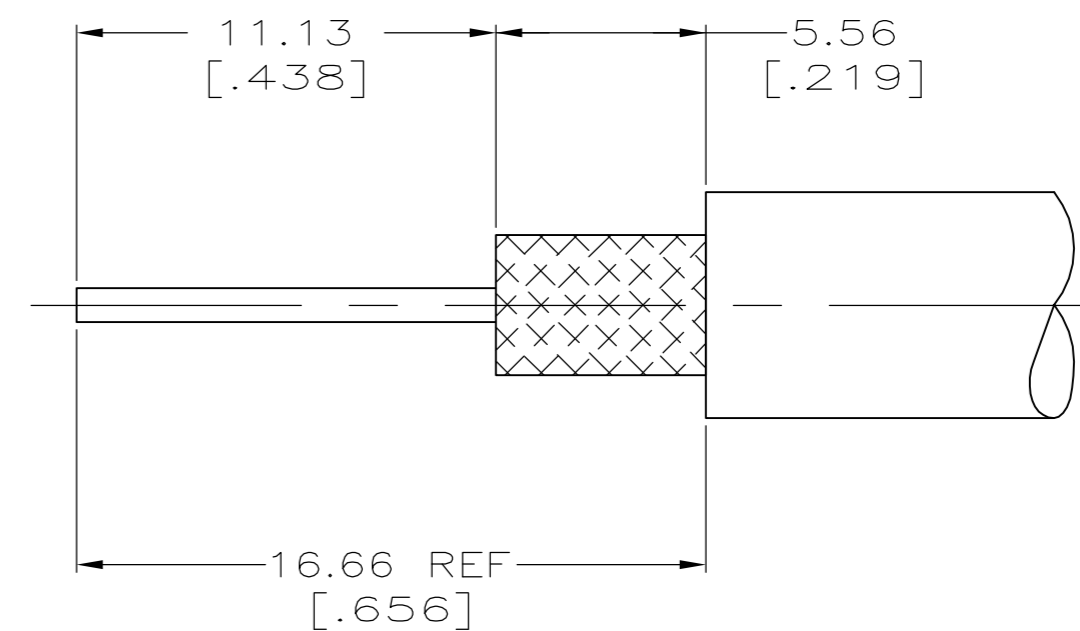


THIS DRAWING IS UNPUBLISHED. RELEASED FOR PUBLICATION
 © COPYRIGHT BY TYCO ELECTRONICS CORPORATION. ALL RIGHTS RESERVED.

LOC	DIST	REVISIONS					
AJ	16	P	LTR	DESCRIPTION	DATE	DWN	APVD
		A		REV PER ECO 06-002539	06APR06	GB	JH



- 1. FOR CABLE: RG-59/U, 59A/U, 59B/U, 62/U, 62A/U, 62B/U, 124/U, 140/U, 210/U
- 2. USE INSTRUCTION SHEET 408-1799-1



RECOMMENDED STRIP LENGTH
NO SCALE

1	69141-1	9-329041-0	9-50780-1	2-329106-1	9-329804-0	2-5329445-1
CABLE	CRIMP TOOL	4 FERRULE QTY=1	3 CRIMP END ASSEMBLY QTY=1	2 GASKET QTY=1	1 PLUG ASSEMBLY QTY=1	PART NUMBER

THIS DRAWING IS A CONTROLLED DOCUMENT.

DIMENSIONS: INCHES	TOLERANCES UNLESS OTHERWISE SPECIFIED:	DWN J. HAVENER 16SEP2005	Tyco Electronics Corporation Harrisburg, PA 17105-3608
	0 PLC ± -	CHK J. HAVENER 16SEP2005	
	1 PLC ± -	APVD J. LIPPERT 16SEP2005	
	2 PLC ± 0.41 [.016]	PRODUCT SPEC	
MATERIAL	FINISH	APPLICATION SPEC	NAME PLUG, BNC
		WEIGHT	SIZE A2 CAGE CODE 00779 DRAWING NO C=5329445 RESTRICTED TO
		CUSTOMER DRAWING	SCALE 5:1 SHEET 1 of 1 REV A

329445

5329445